

SPECIFICATIONS

GENERAL:

The surface drainage system shall be 6000 PLUS-R Series FoodSafe Slot Drain complete with slotted linear trench opening as manufactured by FoodSafe Drains.

MATERIALS:

T304 Stainless Steel, T316 Stainless Steel,

SLOPE:

0.5% Standard

DESIGN OPTIONS:

Material (\$): SS 304(5), SS 316(6)
Slot Opening (#): ½" (0), 1" (1), 1 ¼" (5)
End (*): Open (0), End Cap (1), Flush Nipple (5)
Section Lengths: Full 9'8", Half 4'10"
Custom Lengths available

FLOW RATE:

½" 11 gpm (per foot of drain)
1 18 gpm (per foot of drain)
1 ¼" 27 gpm (per foot of drain)

LOAD CLASS:

Load Class E

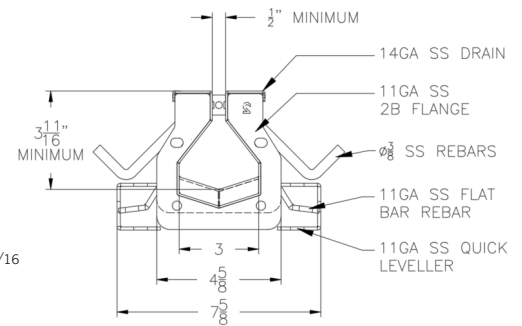
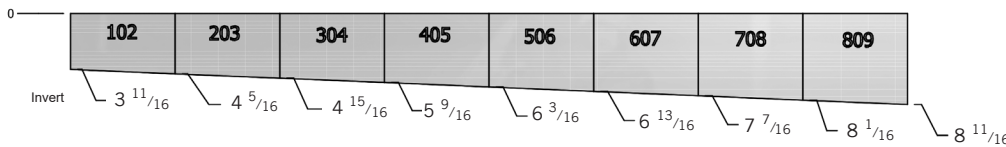
ACCESSORIES:

Cleaning paddle, Cleaning Brush, Flush Flo, CIP, Slot Hog, Tri-Clamp

INSTALLATION:

The 6000 PLUS-R Series FoodSafe Slot Drain shall be installed in accordance with the manufacturer's installation instructions and recommendations.

TYPICAL MODULAR LAYOUT OF A 6000 PLUS-R SERIES FOODSAFE SLOT DRAIN®
(Sections fit together as illustrated below)



DRAIN CHANNELS

| DESCRIPTION | PART NO. | INVERT SHALLOW INCHES | INVERT DEEP INCHES |
|-------------------------------------|-----------------|-----------------------|--------------------|
| 6000 PLUS-R SERIES SS SLOT 102 HALF | SD6\$*#PR-102B | 4 | 4 5/16 |
| 6000 PLUS-R SERIES SS SLOT 102 | SD6\$*#PR-102 | 3 11/16 | 4 5/16 |
| 6000 PLUS-R SERIES SS SLOT 203 | SD6\$*#PR-203 | 4 5/16 | 4 15/16 |
| 6000 PLUS-R SERIES SS SLOT 304 | SD6\$*#PR-304 | 4 15/16 | 5 9/16 |
| 6000 PLUS-R SERIES SS SLOT 405 | SD6\$*#PR-405 | 5 9/16 | 6 3/16 |
| 6000 PLUS-R SERIES SS SLOT 506 | SD6\$*#PR-506 | 6 3/16 | 6 13/16 |
| 6000 PLUS-R SERIES SS SLOT 607 | SD6\$*#PR-607 | 6 13/16 | 7 7/16 |
| 6000 PLUS-R SERIES SS SLOT 708 | SD6\$*#PR-708 | 7 7/16 | 8 1/16 |
| 6000 PLUS-R SERIES SS SLOT 809 | SD6\$*#PR-809 | 8 1/16 | 8 11/16 |
| 6000 PLUS-R SERIES SS SLOT 9010 | SD6\$*#PR-9010 | 8 11/16 | 9 5/16 |
| 6000 PLUS-R SERIES SS SLOT 10011 | SD6\$*#PR-10011 | 9 5/16 | 9 15/16 |

NOTE:

Also available with 90° sections, 'T' sections, and Transition Pits for all of the depths specified above.

CATCH BASIN LID: STANDARD, TRI-CLAMP OPTIONS ARE AVAILABLE AND STRAINER IS PART OF THE CATCH BASIN

| DESCRIPTION | TOP WIDTH INCHES | TOP LENGTH INCHES | BOTTOM WIDTH INCHES | BOTTOM LENGTH INCHES | HEIGHT INCHES | OUTLET SIZE INCHES |
|--------------------|------------------|-------------------|---------------------|----------------------|---------------|--------------------|
| 6000P SS CB SMALL | 6 | 6 | 6 | 6 | 12 | 4 or 6 |
| 6000P SS CB MEDIUM | 6 | 12 | 6 | 12 | 12 | 4 or 6 |
| 6000P SS CB LARGE | 12 | 12 | 12 | 12 | 12 or 20 | 4 or 6 |

SPECIFYING ENGINEER IS RESPONSIBLE FOR CONCRETE ENCASEMENT AND REINFORCING BASED UPON APPLICATION AND LOCAL CODES. FOODSAFE DRAINS RESERVES THE RIGHT TO CHANGE THE PRODUCT AND SPECIFICATIONS WITHOUT NOTICE